

# MW-MLD-2835-4X-LENS



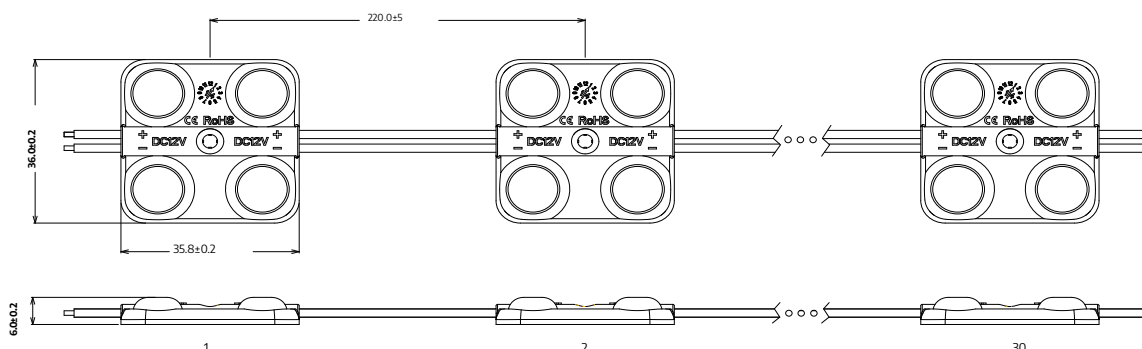
10-25 cm

3D letters, lightboxes



- luminous efficacy 96 lm/W
- for indoor and outdoor use
- 30 pcs in chain

## DIMENSIONS



# MW-MLD-2835-4X-LENS



## TECHNICAL SPECIFICATION

Parameter	Value
Rated voltage	12 V DC
Power consumption per module	1,2 W
Chain power consumption	36 W
Current consumption per module	100 mA
LED diodes	San'an led - 2835
Quantity of LEDs	4
Light color	X = WW - warm white (3000K) X = NW - neutral white (4000K) X = W - white (6500K) X = CW - cold white (12000K)
Flux	115 lm
Flux density	96 lm/W
Color rendering index CRI	≥80 (on request ≥90, ≥95)
Beam angle	160°
Current stabilization	Yes
Dimming	Yes
Module dimensions (L × W × H)	36 × 36 × 6 mm
Cable length	184 mm
Number of modules in 1 m	4,5
Box weight	17,5 kg
Montage	Adhesive tape / mounting screw
Lifetime	L70B50 > 50000h
Working temperature	-25°C ... +55°C
IP protection	IP67
Warranty	5 years

# MW-MLD-2835-4X-LENS



## CONNECTION DIAGRAM

One-side power input



**Maximum number of modules 30 pcs**

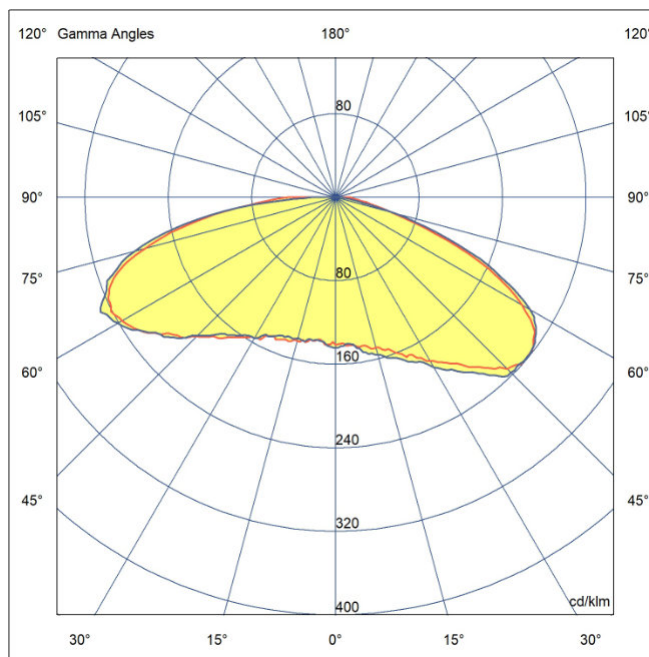
Two-side power input



**Maximum number of modules 60 pcs**

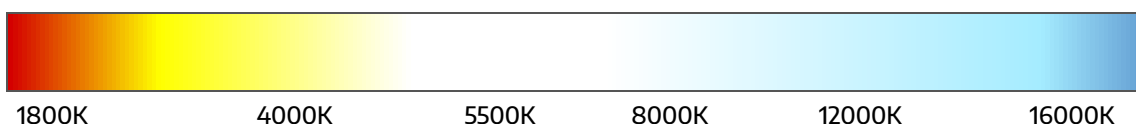
It is acceptable to connect multiple chains in parallel, as long as the power supply provides sufficient power.

## BEAM ANGLE



## LIGHT COLOR / CCT

Abbreviation	Light color	CCT
WW	warm white	~3000K
NW	neutral white	~4000K
W	white	~6500K
CW	cold white	~12000K



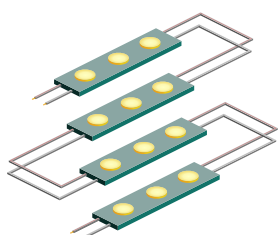
# MW-MLD-2835-4X-LENS



## TABLE OF SELECTION OF MODULES TO DEPTH OF CASSETTE

Depth	Light intensity	Distance between the centres of the modules	Distance between rows	Pieces / m <sup>2</sup>	Power / m <sup>2</sup>
80 mm	3300-3500 lx	140 mm	140 mm	49 pcs	58,8 W/m <sup>2</sup>
100 mm	2900-3100 lx	170 mm	170 mm	36 pcs	43,2 W/m <sup>2</sup>
110 mm	3200-3600 lx	150 mm	150 mm	36 pcs	43,2 W/m <sup>2</sup>
120 mm	1900-2100 lx	200 mm	200 mm	25 pcs	30 W/m <sup>2</sup>
150 mm	1300-1500 lx	250 mm	250 mm	16 pcs	19,2 W/m <sup>2</sup>
180 mm	1100-1300 lx	280 mm	280 mm	16 pcs	19,2 W/m <sup>2</sup>
200 mm	800-1000 lx	300 mm	300 mm	9 pcs	10,8 W/m <sup>2</sup>
250 mm	400-600 lx	450 mm	450 mm	4 pcs	4,8 W/m <sup>2</sup>
300 mm	250-300 lx	450 mm	450 mm	4 pcs	4,8 W/m <sup>2</sup>

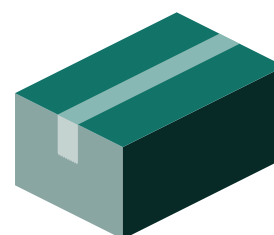
## PACKING



Chain  
**30 pcs**



Bag  
**90 pcs**



Box  
**1440 pcs**

## OTHER NOTES

The 3M tape placed on the device is only used to pre-attach and position the LED modules. Use your own glue or mounting screw to securely and permanently attach the item to the surface.