

◆ Features:

- One LED per module
- Chain of 30 pcs.
- IP 67 waterproof, injection molded
- Internal current stabilization (CC)
- Built-in heat sink plate
- 5 years warranty

◆ Usage:

- Letters of light
- Double-sided advertising boxes, lightboxes 10-20cm
- POS systems
- Backlighting of furniture

◆ Photos:



Model	Barwa świecenia
MW-MLD-3030-1W-LENS	6500K
MW-MLD-3030-1NW-LENS	4000K
MW-MLD-3030-1WW-LENS	3000K
MW-MLD-3030-1CW-LENS	9000K

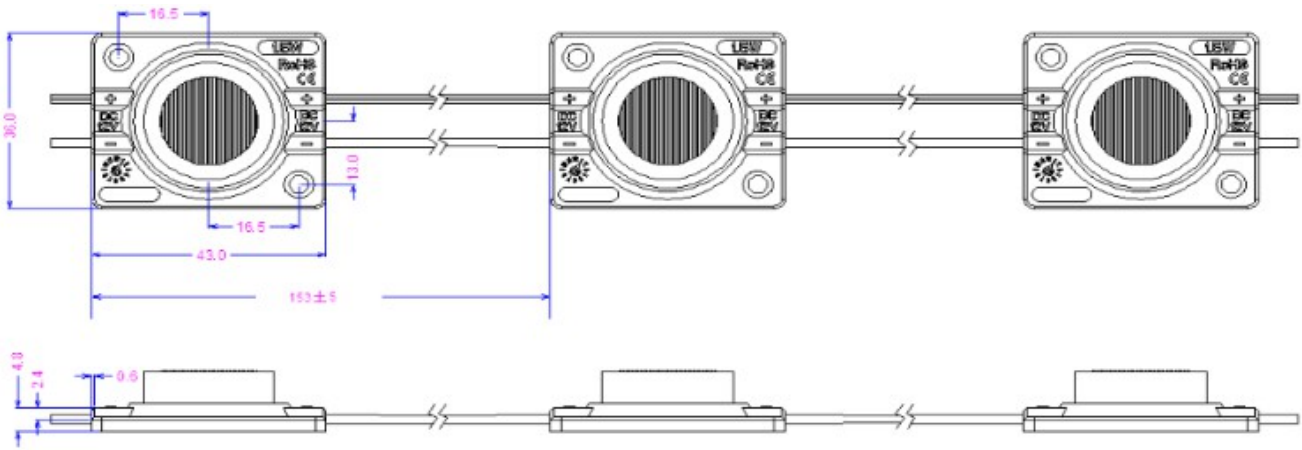


MW-MLD-3030-1x-LENS

		MW-MLD-3030-1x-LENS
Power	Rated voltage	12Vdc +/- 5%
	Power consumption	1.44W
	Current consumption of one module	0.12A
	Power consumption of chain	43,2W
LEDs	Dimensions of LEDs	3030
	Number of diodes in module	1
	Color of Light (x)	X = W-white (6000-8000K) X = NW- neutral white 4000K X = WW- warm white 3000K X = CW- cool white 9000K
	Flux	120-145lm
	Luminous efficacy	100lm/W
	Beam angle	56° x 12°*
	Lifetime	50K hours
Connection	Soldering	Yes
	Screw and spring clamps	Yes
Wires	Wire length	110 mm
	Wires designation	White & red (+) White (-)
Properties	Protection	IP 67
	Working temperature	-40°C ... 60°C
Dimensions	Height, width, length	14,8 x 36 x 43 mm
Montage	Bonding	Yes
	Screwing	Yes
	Hole size	M3
Others	Housing material	ABS
	Number of modules per 1 m	6,5 pcs.
Packing	Chain	30 pcs. (4,6m)
	Bag	60 pcs.
	Box	600 pcs.

*depending on the vertical or horizontal arrangement

◆ DIMENSIONS :



Dimensions: mm

◆ TABLE OF SELECTION OF MODULES FOR GPV POWER SUPPLIES

Power supply	GPV-12-12	GPV-18-12	GPV-20-12	GPV-35-12	GPV-60-12	GPV-75-12	GPV-100-12	GPV-150-12	GPV-200-12
Number of modules	8	12	13	24	41	52	69	83	133