



# MWL 70-12

## 12V 70Ah

### Compliance with standards

PN-EN 60896-21:2007  
 PN-EN 60896-22:2007  
 PN-EN 61056-1:2008  
 PN-EN 61056-2:2003(U)  
 PN-E-83016:1999

Batteries MW Power type MWL are designed for use mainly in emergency power systems e.g. UPS, emergency lighting, automation systems. The batteries can also be used in applications, where they operate cyclically. For discharges of 50% can reach 400 cycles.

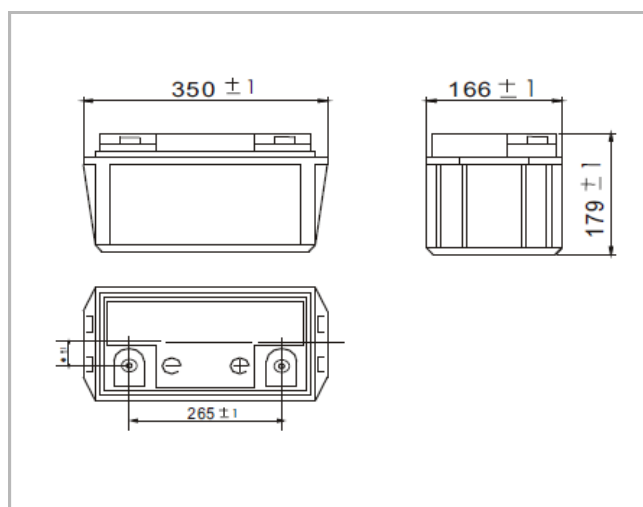
Designed service life 10-12 years to range of 20-25 °C.



### Specification

Nominal voltage	12V	
Nominal capacity	70Ah	
Dimensions	Length	350 mm
	Width	166 mm
	Height	179mm
	Total height	179mm
Weight	23,0 kg	

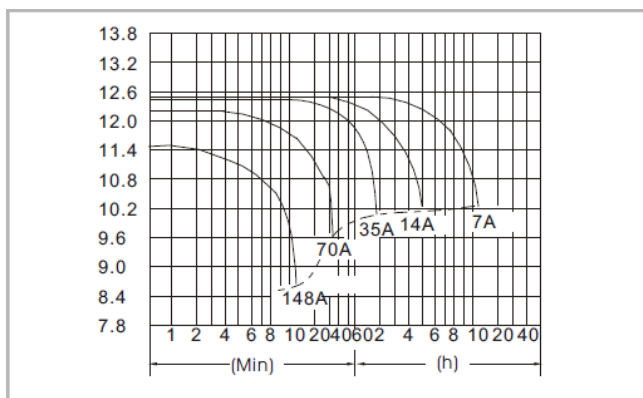
### Dimensions



### Characteristic

Capacity for 25 ° C and cut-off voltage 10.5 V	20h	70 Ah
	10h	68 Ah
	5h	65Ah
Internal resistance	charged battery	5,7 mΩ
Capacity	for 20°C	100%
	for 0°C	85%
	for -15°C	65%
Self-discharge	3 m-ths	91%
	6 m-ths	82%
	12 m-ths	64%
Terminal	Insert M6 (T16)	
Charging	Standby use	13,50-13,80V
	Cyclic use	14,40-15,00V
Max. charge current	28A	
Max. discharge current	700A	

### Input-discharge at 25 ° C



### Terminal

