

MINIOVAL-1W



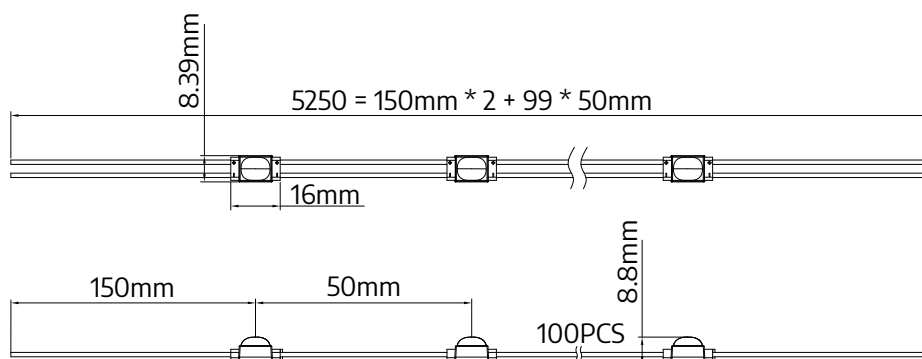
2,5-8 cm

3D letters, lightboxes



- luminous efficacy 114 lm/W
- for indoor and outdoor use
- ideal for creating a "halo" effect
- 100 pcs in chain

DIMENSIONS



MINIOVAL-1W



TECHNICAL SPECIFICATION

| Parameter | Value |
|--------------------------------|--|
| Rated voltage | 12 V DC |
| Power consumption per module | 0,36 W |
| Chain power consumption | 36 W |
| Current consumption per module | 30 mA |
| LED diodes | EPISTAR - 2835 |
| Quantity of LEDs | 1 |
| Light color | W - white (6500K) WW - warm white (3000K) |
| Flux | 41 lm |
| Flux density | 114 lm/W |
| Color rendering index CRI | ≥70 (on request ≥80, ≥90, ≥95) |
| Beam angle | 170 x 130° |
| Current stabilization | No |
| Dimming | Yes |
| Module dimensions (L × W × H) | 16 × 9 × 9 mm |
| Cable length | 34 mm |
| Number of modules in 1 m | 20 |
| Box weight | 14 kg |
| Montage | Adhesive tape / mounting screw |
| Lifetime | L70B50 > 50000h |
| Working temperature | -25°C ... +55°C |
| IP protection | IP67 |
| Warranty | 5 years |

MINIOVAL-1W



CONNECTION DIAGRAM

One-side power input



Maximum number of modules 100 pcs

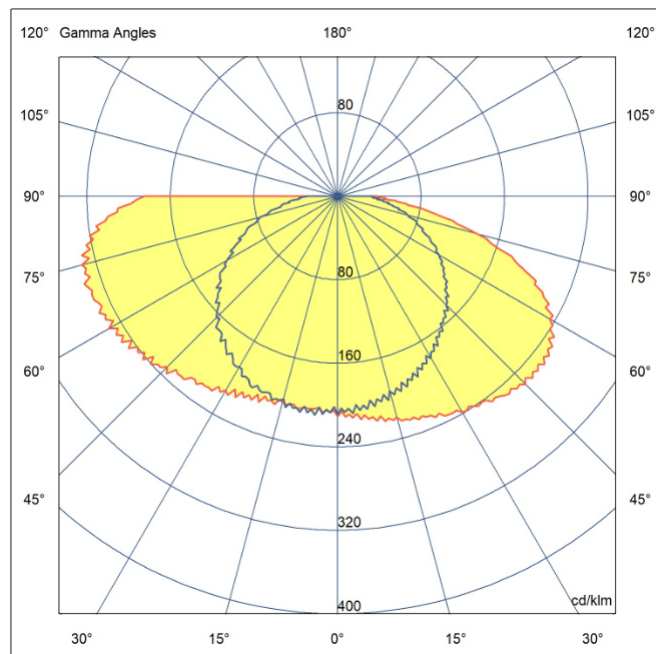
Two-side power input



Maximum number of modules 200 pcs

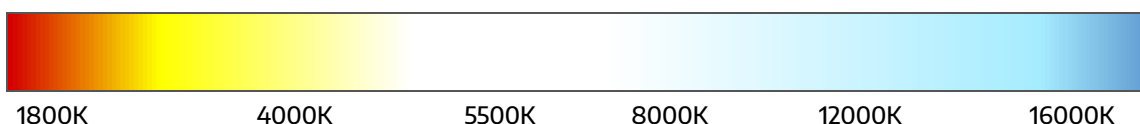
It is acceptable to connect multiple chains in parallel, as long as the power supply provides sufficient power.

BEAM ANGLE



LIGHT COLOR / CCT

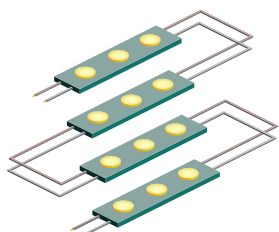
| Abbreviation | Light color | CCT |
|--------------|---------------|---------|
| WW | warm white | ~3000K |
| NW | neutral white | ~4000K |
| W | white | ~6500K |
| CW | cold white | ~10000K |



MINIOVAL-1W



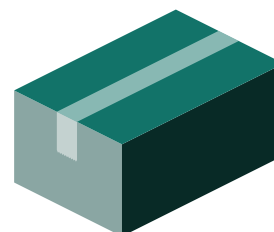
PACKING



Chain
100 pcs



Bag
100 pcs



Box
6000 pcs