

MW-MLD-HE-2X-LENS170



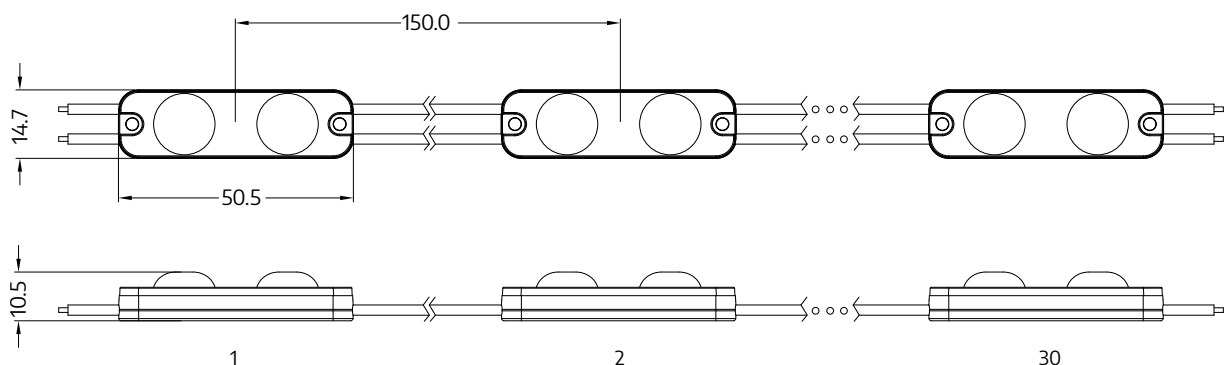
8-15 cm

3D letters, lightboxes



- luminous efficacy 118 lm/W
- premium quality
- built-in heat sink plate
- for indoor and outdoor use
- 30 pcs in chain

DIMENSIONS



MW-MLD-HE-2X-LENS170



TECHNICAL SPECIFICATION

Parameter	Value
Rated voltage	12 V DC
Power consumption per module	0,72 W
Chain power consumption	21,6 W
Current consumption per module	60 mA
LED diodes	San'an led - 2835
Quantity of LEDs	2
Light color	X = W - white (7000K) X = WW - warm white (3000K) X = NW - neutral white (4000K) X = CW - cold white (10000K)
Flux	85 lm
Flux density	118 lm/W
Color rendering index CRI	≥80 (on request ≥90, ≥95)
Beam angle	170°
Current stabilization	Yes
Dimming	Yes
Module dimensions (L × W × H)	51 × 15 × 11 mm
Cable length	99,5 mm
Number of modules in 1 m	6,7
Box weight	17,6 kg
Montage	Adhesive tape / mounting screw
Lifetime	L70B50 > 50000h
Working temperature	-25°C ... +55°C
IP protection	IP67
Warranty	7 years

MW-MLD-HE-2X-LENS170



CONNECTION DIAGRAM

One-side power input



Maximum number of modules 30 pcs

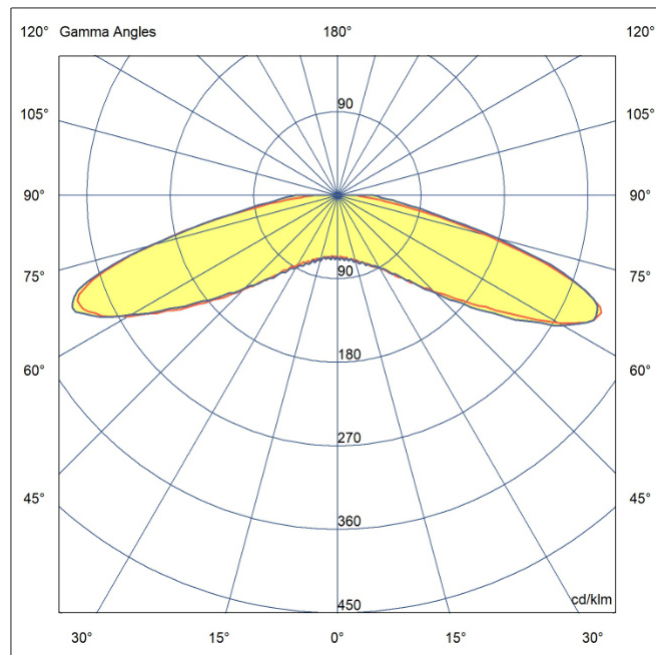
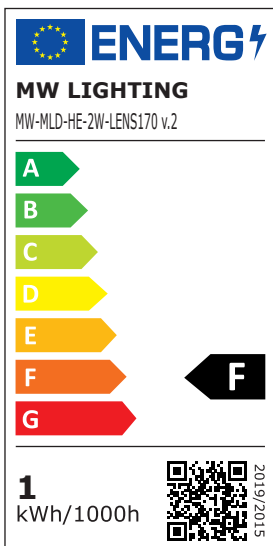
Two-side power input



Maximum number of modules 60 pcs

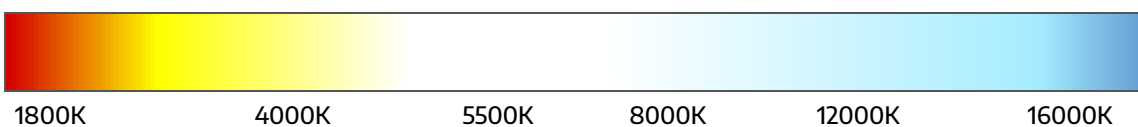
It is acceptable to connect multiple chains in parallel, as long as the power supply provides sufficient power.

ENERGY LABEL / BEAM ANGLE



LIGHT COLOR / CCT

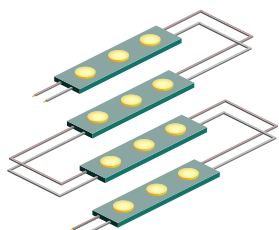
Abbreviation	Light color	CCT
WW	warm white	~3000K
NW	neutral white	~4000K
W	white	~7000K
CW	cold white	~10000K



MW-MLD-HE-2X-LENS170



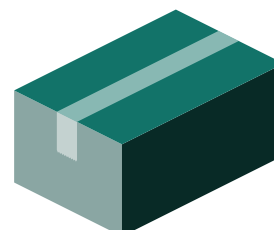
PACKING



Chain
30 pcs



Bag
150 pcs



Box
1500 pcs