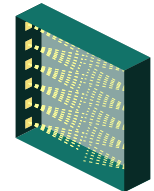


MW-MLD-3030-1X-LENS



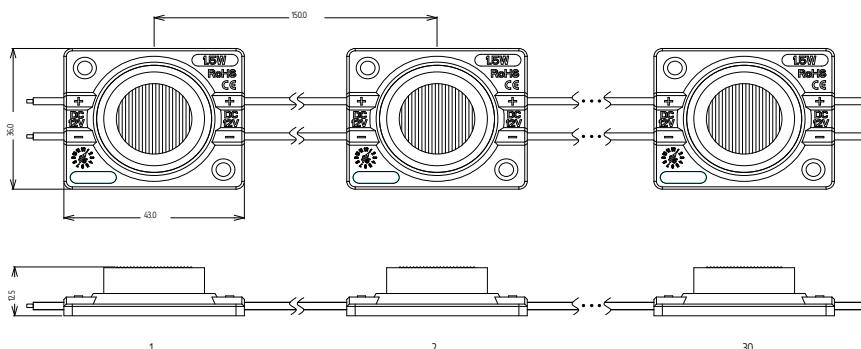
10-20 cm

double-sided
lightboxes



- luminous efficacy 83 lm/W
- for indoor and outdoor use
- built-in heat sink plate
- 30 pcs in chain

DIMENSIONS



MW-MLD-3030-1X-LENS



TECHNICAL SPECIFICATION

Parameter	Value
Rated voltage	12 V DC
Power consumption per module	1,5 W
Chain power consumption	45 W
Current consumption per module	125 mA
LED diodes	San'an led - 3030
Quantity of LEDs	1
Light color	X = WW - warm white (3000K) X = NW - neutral white (4000K) X = W - white (6500K) X = CW - cold white (10000K)
Flux	125 lm (NW, W, CW) 115 lm (WW)
Flux density	83 lm/W (NW, W, CW) 77 lm/W (WW)
Color rendering index CRI	≥80 (on request ≥90, ≥95)
Beam characteristic	15 x 55°
Current stabilization	Yes
Dimming	Yes
Module dimensions (L x W x H)	43 x 36 x 13 mm
Cable length	107 mm
Number of modules in 1 m	6,6
Box weight	11 kg
Montage	Adhesive tape / mounting screw
Lifetime	L70B50 > 50000h
Working temperature	-25°C ... +55°C
IP protection	IP67
Warranty	5 years

MW-MLD-3030-1X-LENS



CONNECTION DIAGRAM

One-side power input



Maximum number of modules 30 pcs

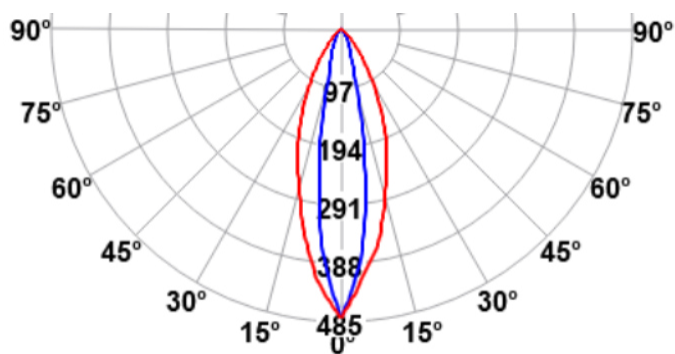
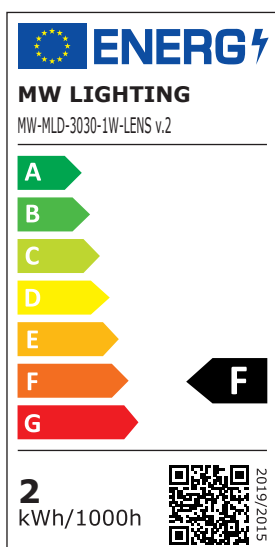
Two-side power input



Maximum number of modules 60 pcs

It is acceptable to connect multiple chains in parallel, as long as the power supply provides sufficient power.

ENERGY LABEL / BEAM ANGLE



LIGHT COLOR / CCT

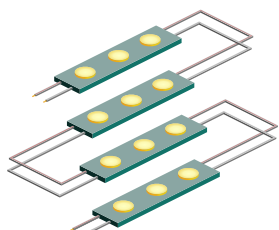
Abbreviation	Light color	CCT
WW	warm white	~3000K
NW	neutral white	~4000K
W	white	~6500K
CW	cold white	~10000K



MW-MLD-3030-1X-LENS



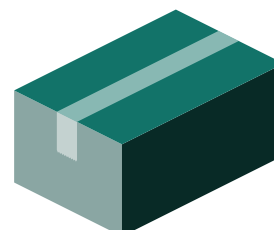
PACKING



Chain
30 pcs



Bag
60 pcs



Box
600 pcs

OTHER NOTES

The 3M tape placed on the device is only used to pre-attach and position the LED modules. Use your own glue or mounting screw to securely and permanently attach the item to the surface.