

# MW-MLD-FLAT-1X-LENS170



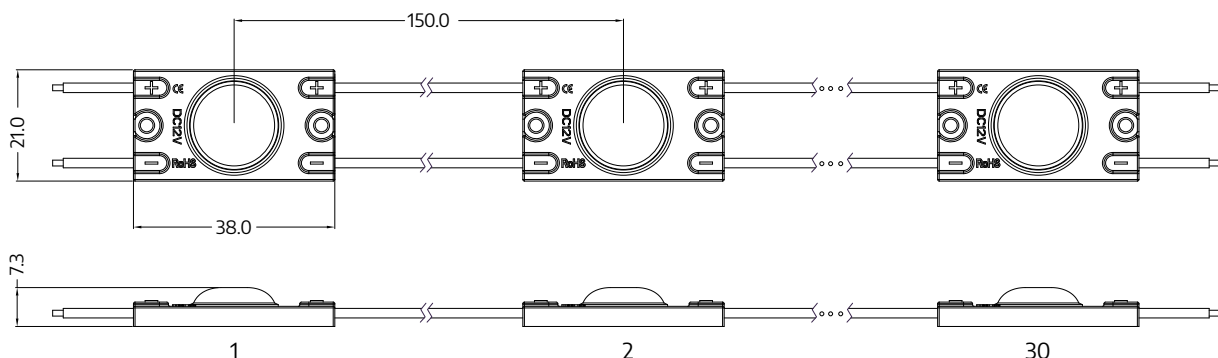
3-10 cm

3D letters, lightboxes



- luminous efficacy 82 lm/W
- energy-efficient
- for indoor and outdoor use
- 30 pcs in chain

## DIMENSIONS



# MW-MLD-FLAT-1X-LENS170



## TECHNICAL SPECIFICATION

Parameter	Value
Rated voltage	12 V DC
Power consumption per module	0,98 W
Chain power consumption	29,4 W
Current consumption per module	82 mA
LED diodes	San'an led - 2835
Quantity of LEDs	1
Light color	X = W - white (6500K) X = NW - neutral white (4000K)
Flux	80 lm (W)
Flux density	82 lm/W (W)
Color rendering index CRI	≥80 (on request ≥90, ≥95)
Beam angle	170°
Current stabilization	Yes
Dimming	Yes
Module dimensions (L × W × H)	38 × 21 × 7 mm
Cable length	112 mm
Number of modules in 1 m	6,7
Box weight	16 kg
Montage	Adhesive tape / mounting screw
Lifetime	L70B50 > 50000h
Working temperature	-25°C ... +55°C
IP protection	IP67
Warranty	5 years

# MW-MLD-FLAT-1X-LENS170



## CONNECTION DIAGRAM

One-side power input



Maximum number of modules 30 pcs

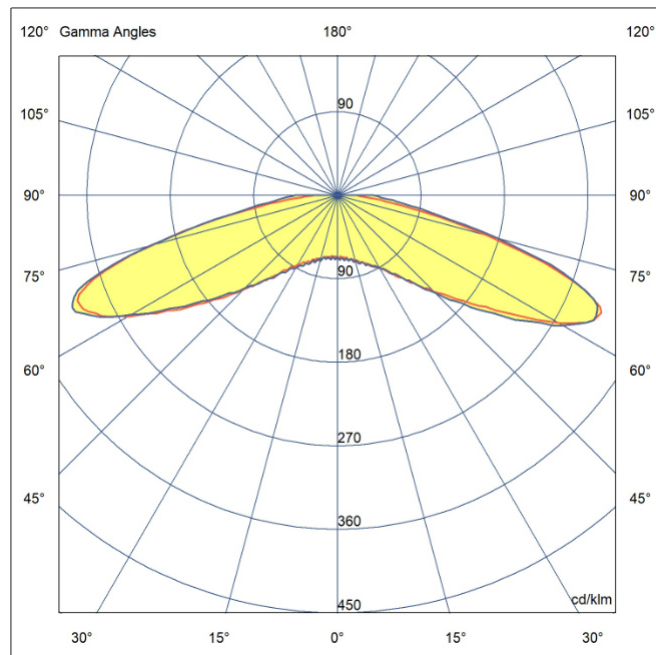
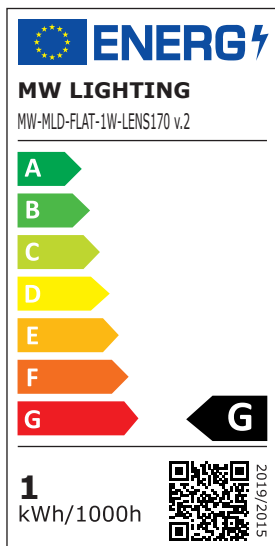
Two-side power input



Maximum number of modules 60 pcs

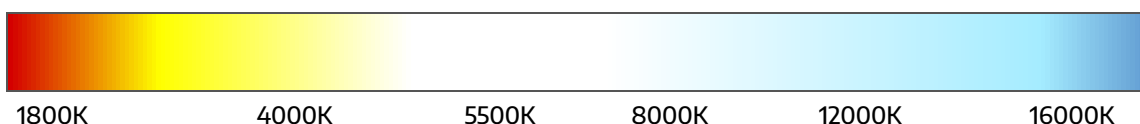
It is acceptable to connect multiple chains in parallel, as long as the power supply provides sufficient power.

## ENERGY LABEL / BEAM ANGLE



## LIGHT COLOR / CCT

Abbreviation	Light color	CCT
WW	warm white	~3000K
NW	neutral white	~4000K
W	white	~6500K
CW	cold white	~10000K

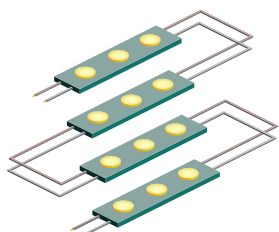


# MW-MLD-FLAT-1X-LENS170

---



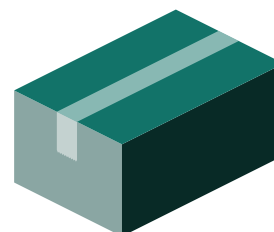
## PACKING



Chain  
**30 pcs**



Bag  
**120 pcs**



Box  
**1920 pcs**